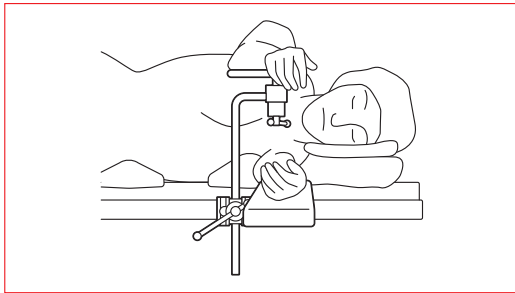


Instruction for Use

Trade Name: Standard armboard

Warning

1. When using operating table accessories, always pay close attention to the patient. Patients left in the same posture for an extended period of time are at risk for developing bedsores.
2. When using this product for a patient in the lateral recumbent position, secure the arm on the lower side onto the Armboard. Failure to secure the arm to the Armboard may lead to a patient injury.

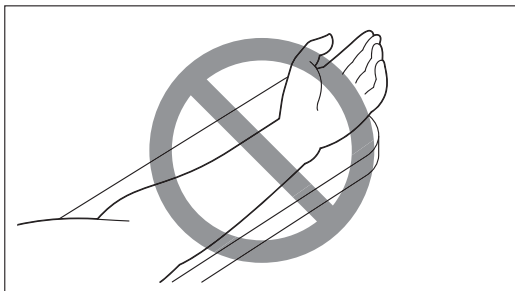


Contraindication/Prohibition

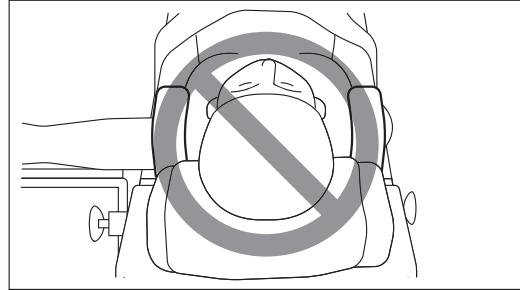
1. This product is only validated for use with Mizuho operating tables.
2. Avoid putting a patient's arm in any of the positions shown below, in order to prevent nerve paralysis in the arm.



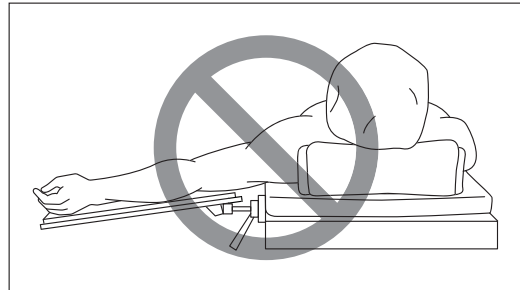
Do not allow the arm to be positioned at an angle of more than 90 degrees with respect to the longitudinal direction of the operating table.



Do not turn up the inside of the arm (except for patients in the lateral recumbent position).



Do not use this product together with the shoulder support for a patient in the Trendelenburg position (laid flat on the back with the feet higher than the head). (Refer to the Interactions section.)

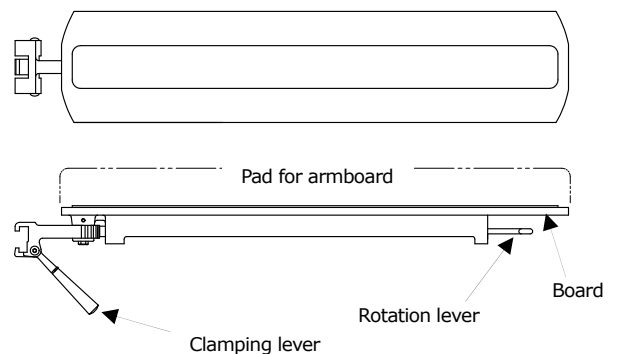


Do not use this product if its upper surface is lower than the surface of the operating table.

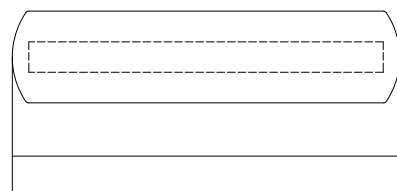
3. Care should be taken to secure the arm to the Armboard when the table is articulated.

Failure to secure the patient's arm may lead to patient injury.

Shape/ Structure



Accessory : Pad for armboard



Code No.	Product Description
08-117-16	Standard armboard (C2)

<Accessories>

Code No.	Product Description
08-117-07	60 mm Pad for armboard (C1/C2)
08-117-08	100 mm Pad for armboard (C1/C2)

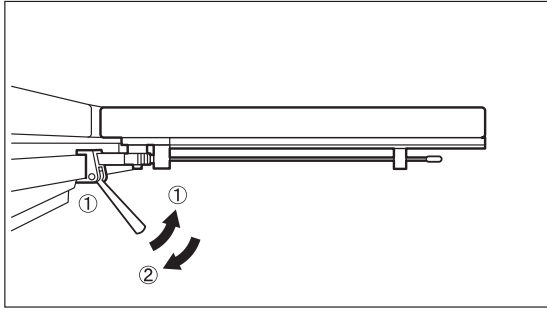
Material: Stainless steel, Aluminium alloy, Plastic

Intended purpose

This is an accessory to an operating table and is used for supporting an upper arm of a patient.

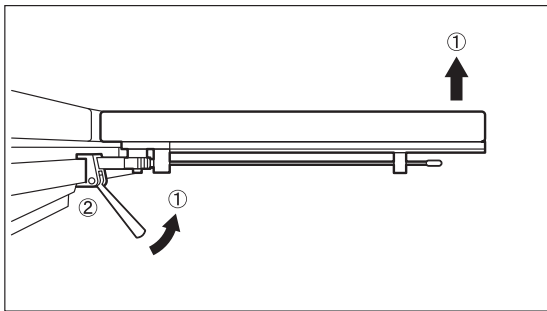
Instructions for use

1) Attachment



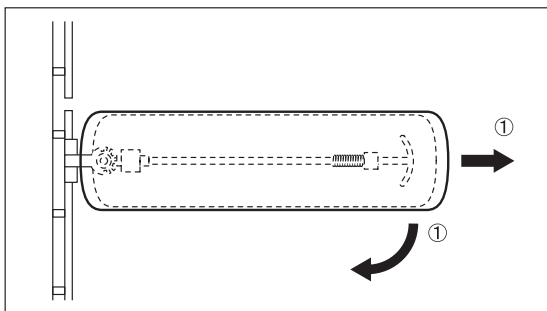
- ① While pulling the clamping lever toward you, attach the armboard to a side rail of an operating table.
- ② Release the clamping lever.

2) Removal



- ① While pulling the clamping lever toward you, lift up the edge of the board (armboard).
- ② Remove the armboard from the side rail.

3) Rotation



- ① After pulling the rotation lever, the armboard can be rotated to up to 90 degrees.

Caution

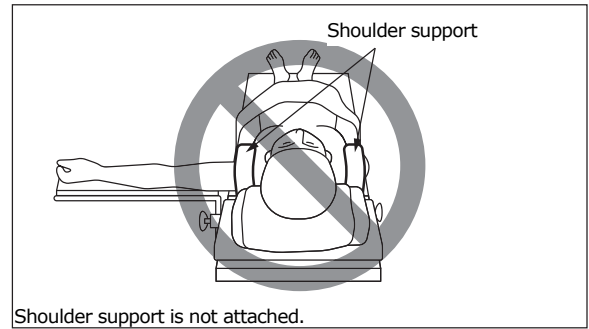
1) Important caution

- When working with an operating table, take care not to allow this product to make contact or interfere with the table top or with other tools and appliances used in combination with this product.
- After adjusting the rotation angle, be sure to check that the catch at the end of the rotation lever fully engages with the gear below the board.

2) Interaction

(Cautions on use of other tools in combination with this product)

Product	Clinical episode
Shoulder support	nerve paralysis in the upper arm



Shoulder support is not attached.

When shoulder support is used, do not secure the arm in abducted position on a standard armboard. Doing so may result in nerve paralysis in the upper arm.

3) Defect/Adverse event

(Adverse event)

- Bedsore
- Patient's fall

Storage/Life

1. Do not store the device in high temperatures or in areas with high humidity where the temperature has drastic variations.
2. Service life of this product: 7 years (subject to the specified maintenance and inspection and is stored properly)

Handling instructions

1. Use this product for its intended purpose only. Incorrect use could cause damage to this product and the operating table to which this product is attached.
2. Cleaning and disinfection
Wipe off blood, chemicals, contaminants, and other stains with water, and clean the armboard with gauze or other material moistened with alcohol to disinfect it.

Maintenance/Inspection

1. Check that this product is not damaged or broken before and after use.
2. If you need to have this product repaired, consult your local dealer or Mizuho.


Packing

1 piece per pack

*** Matters related to warranty period**

MIZUHO Corporation will repair defective parts of this product without charge for one year from the date of delivery/installment except for cases of damage caused by a third party's repair, act of nature, improper use or damage on purpose. All other warranty terms and conditions are subject to regulations of MIZUHO Corporation.

**** Name and address of manufacturer**

 MIZUHO Corporation
3-30-13 Hongo, Bunkyo-ku, Tokyo 113-0033, Japan
<http://www.mizuho.co.jp>

**** Authorized Representative Europe**

 Emergo Europe B.V.
Prinsessegracht 20, 2514 AP, The Hague
The Netherlands